

Front Panel

USB slot

USB slot allows you to connect external devices.

Function buttons

These buttons perform the same function as the correspondent ones on the remote control.

Display

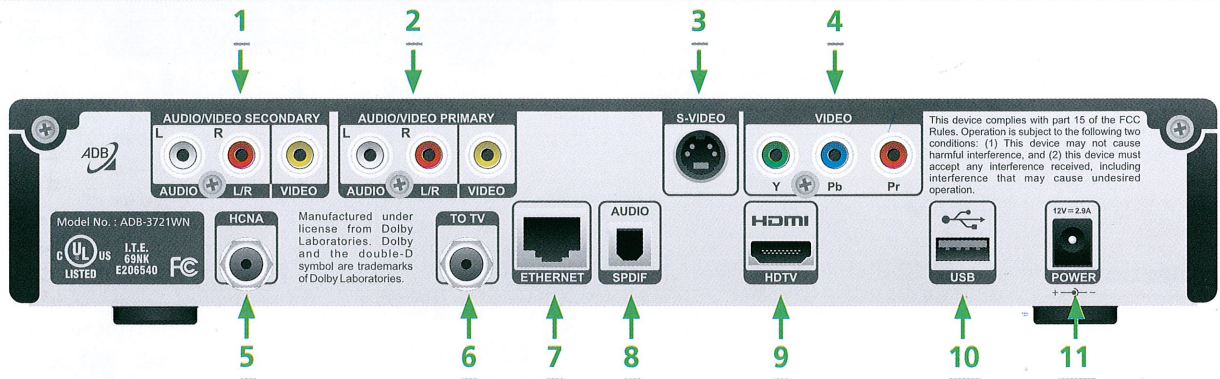
Display presents current time or a channel name.

LEDs

LED indicators inform about the current status of the decoder.



Rear Panel



- | | | |
|-------------------------------------------------------------------------------------------------------------------------------------------------------------------|------------------------------------------------------------------------------------------------------------------------------------------------------------------------------------------------------|------------------------------------------------------------------------------------------------------------------------------------------------------------------------------|
| <ol style="list-style-type: none"> 1. CVBS Video and Stereo Audio Output 2. CVBS Video and Stereo Audio Output 3. S-VIDEO Output | <ol style="list-style-type: none"> 4. Component Output (HD Analog Output) 5. HCNA port (to HCNA coax wiring) 6. RF modulated output to TV 7. Ethernet port | <ol style="list-style-type: none"> 8. S/PDIF (Digital Audio Output) 9. HDMI™ (HD Digital Output) 10. USB port 11. Power plug (12V) |
|-------------------------------------------------------------------------------------------------------------------------------------------------------------------|------------------------------------------------------------------------------------------------------------------------------------------------------------------------------------------------------|------------------------------------------------------------------------------------------------------------------------------------------------------------------------------|

Accessories

As you unpack your digital decoder, please make sure that the following accessories are included:



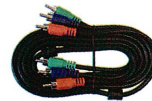
Remote control*
(*optional; actual model may vary)



Batteries*
(*optional)



Power Adapter



RCA Component Cable (YPbPr)



RCA AV Cable

Copyrights

Manufactured under license from Dolby Laboratories. Dolby and the double-D symbol are trademarks of Dolby Laboratories.

HDMI, the HDMI Logo and High-Definition Multimedia Interface are trademarks or registered trademarks of HDMI Licensing LLC.

This product is protected by certain intellectual property rights of Microsoft Corporation. Use or distribution of such technology outside of this product is prohibited without a license from Microsoft or an authorized Microsoft subsidiary.

Content providers are using the digital rights management technology for Windows Media contained in this device ("WM-DRM") to protect the integrity of their content ("Secure Content") so that their intellectual property, including copyright, in such content is not misappropriated. This device uses WM-DRM software to play Secure Content ("WM-DRM Software"). If the security of the WM-DRM Software in this device has been compromised, owners of Secure Content ("Secure Content Owners") may request that Microsoft revoke the WM-DRM Software's right to acquire new licenses to copy, display and/or play Secure Content. Revocation does not alter the WM-DRM Software's ability to play unprotected content. A list of revoked WM-DRM Software is sent to your device whenever you download a license for Secure Content from the Internet or from a PC. Microsoft may, in conjunction with such license, also download revocation lists onto your device on behalf of Secure Content Owners.

Windows Media is a trademark of Microsoft Corporation.

This product incorporates copyright protection technology that is protected by U.S. patents and other intellectual property rights. Use of this copyright protection technology must be authorized by Rovi, and is intended for home and other limited viewing uses only unless otherwise authorized by Rovi. Reverse engineering or disassembly is prohibited.

Connectivity Diagrams

Basic connections

These are mandatory connections for each decoder to operate properly.

Connect the Ethernet port to the DSL Modem socket using an Ethernet cable, or alternatively connect the HCNA port to the household coax wiring (if HCNA* technology and the coax wiring are used for Ethernet distribution).

Note: HCNA technology is supported in the frequency range between 12 and 28 MHz (HCNA 3.1, Mode B).

Connect the decoder to the power supply using the power adapter.

Note: Please connect the decoder to the power supply after you have made all the other connections.

TV connections

Choose **one** of the available ways of connecting your decoder with the TV set.

Note: HDMI and YPbPr connectors support HD resolutions, while SDTV, S-VIDEO and TO TV connectors support SD resolutions.

Note: RF output of the decoder can only be used to connect the decoder to your TV set. It cannot be connected to other cable distribution systems such as cable TV network, satellite dishes, receiving antennas, etc.

Audio connections

Choose **one** of the three types of audio connections available.

If you use Home Cinema, you can connect it to your decoder using the S/PDIF connector and an S/PDIF cable.

To use your Hi-Fi Equipment, connect it to the audio output of your decoder using an RCA cable.

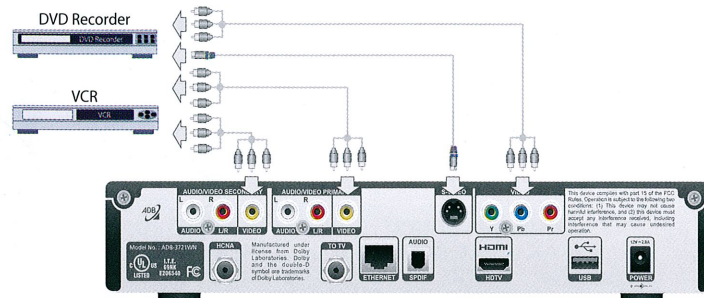
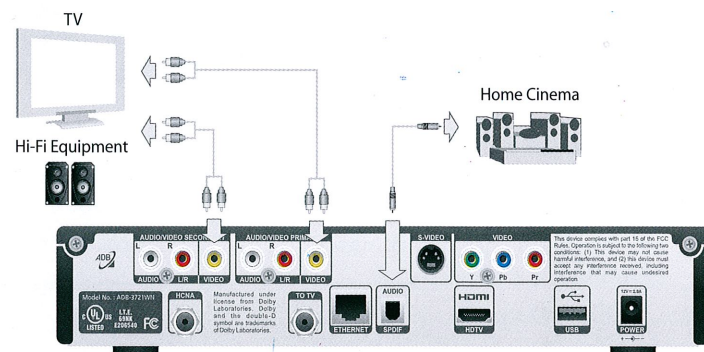
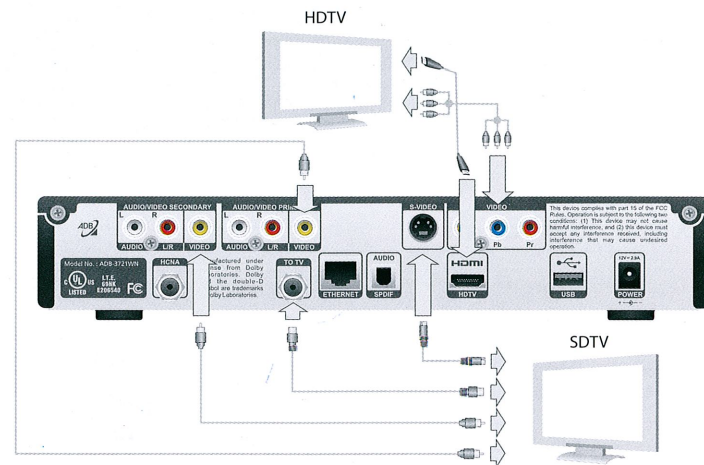
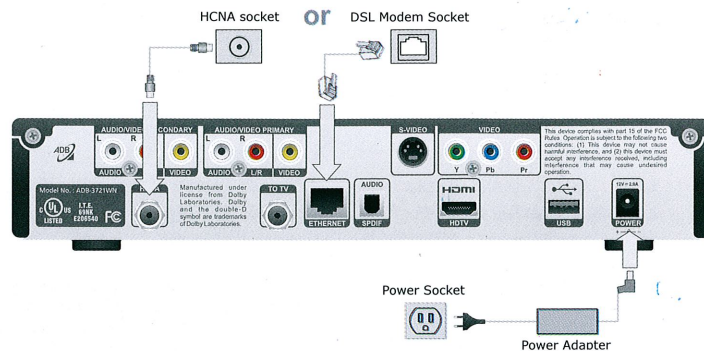
VCR, DVD Recorder connections

Additionally, to record programs, you can connect the decoder to your VCR or DVD Recorder. Choose **one** of the available connections.

Note: To record the sound, connect your DVD or VCR to the audio output of your decoder using an RCA cable.

Note: Connecting your TV directly to the audio/video output of your Set-Top Box will assure a more vivid picture and enhance your viewing enjoyment.

* The HCNA (HomePNA over Coax) is the technology, which allows to utilize existing coaxial cable as the network's physical wiring to connect PCs and Ethernet enabled devices, such as STB and VoIP gateway, to a LAN, thereby eliminating the need to install new wiring. HCNA uses frequencies above those used for DSL, ISDN, voice calls over phone wires and below those used for broadcast and direct broadcast satellite (DBS) TV over coax, so it can coexist with those services on the same wires. HCNA provides advanced features such as guaranteed Quality of Service (QoS). The shield of the coaxial cable must



Weight:
Decoder - 1.42 kg
Packaging - 0.57 kg

